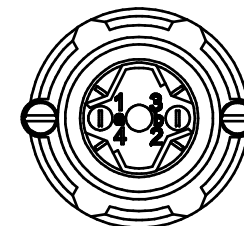
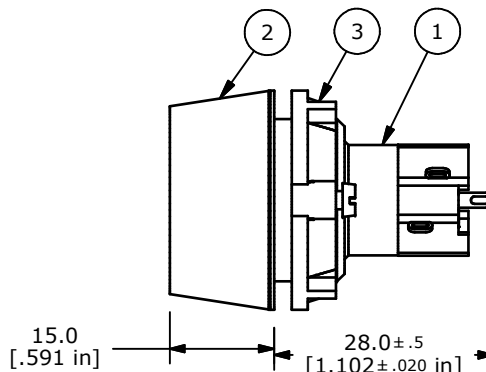
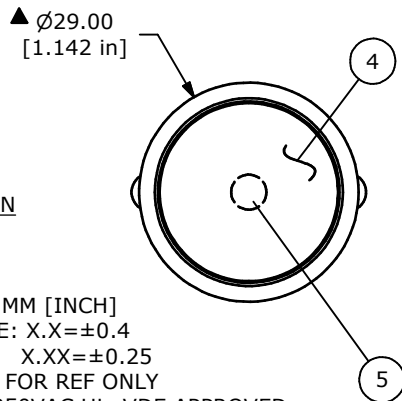
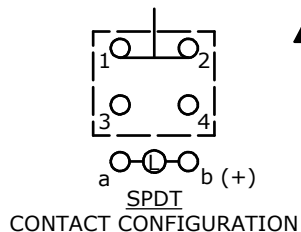


ISOMETRIC

Parts List			
ITEM	QTY	PART NUMBER	DESCRIPTION
1	1	F060610	LASOAU11
2	1	F051701	29MM RING FOR LA SERIES
3	1	F060250	29MM LA U1 NUT
4	1	F060212	29MM GREEN LENS
5	1	F050407	50-004-07 60V AC/DC - 20mA INCANDESCENT LAMP



NOTE:

1. ALL DIMENSIONS IN MM [INCH]
2. GENERAL TOLERANCE: X.X=±0.4  
X.XX=±0.25
3. TERMINAL NUMBERS FOR REF ONLY
4. RATING: 5 AMPS @ 250VAC UL, VDE APPROVED  
6 AMPS @ 24VDC UL, VDE APPROVED
5. ELECTRIC LIFE: 50,000 MAKE-AND-BREAK CYCLES AT FULL LOAD.
6. OPERATING FORCE: 300 GRAMS
7. TRAVEL: 3.0 MM
7. SEALED TO IP65
8. PANEL THICKNESS: 0.5 - 4.0 MM
9. INSULATION RESISTANCE: 1,000 MEGA-OHM MIN.
10. OPERATING TEMP.: -25°C to 55°C
- ▲ 11. LAMP VOLTAGE: 60V AC/DC 20mA INCANDESCENT BULB
12. ▲ DENOTES CRITICAL PARAMETER.
13. 2002/95/EC (ROHS) COMPLIANT



TITLE LASOAU11EGRN

A	18726	RELEASED FOR PRODUCTION	11/9/09	BLR
REV	PCR NO	DESCRIPTION	DATE	BY

SCALE	DATE	DR	DWG	REV
1:1	12/9/2009	BLR	XF0808P	A

THE INFORMATION CONTAINED IN THIS DOCUMENT IS PROPRIETARY TO E-SWITCH AND IS NOT TO BE COPIED OR TRANSFERRED